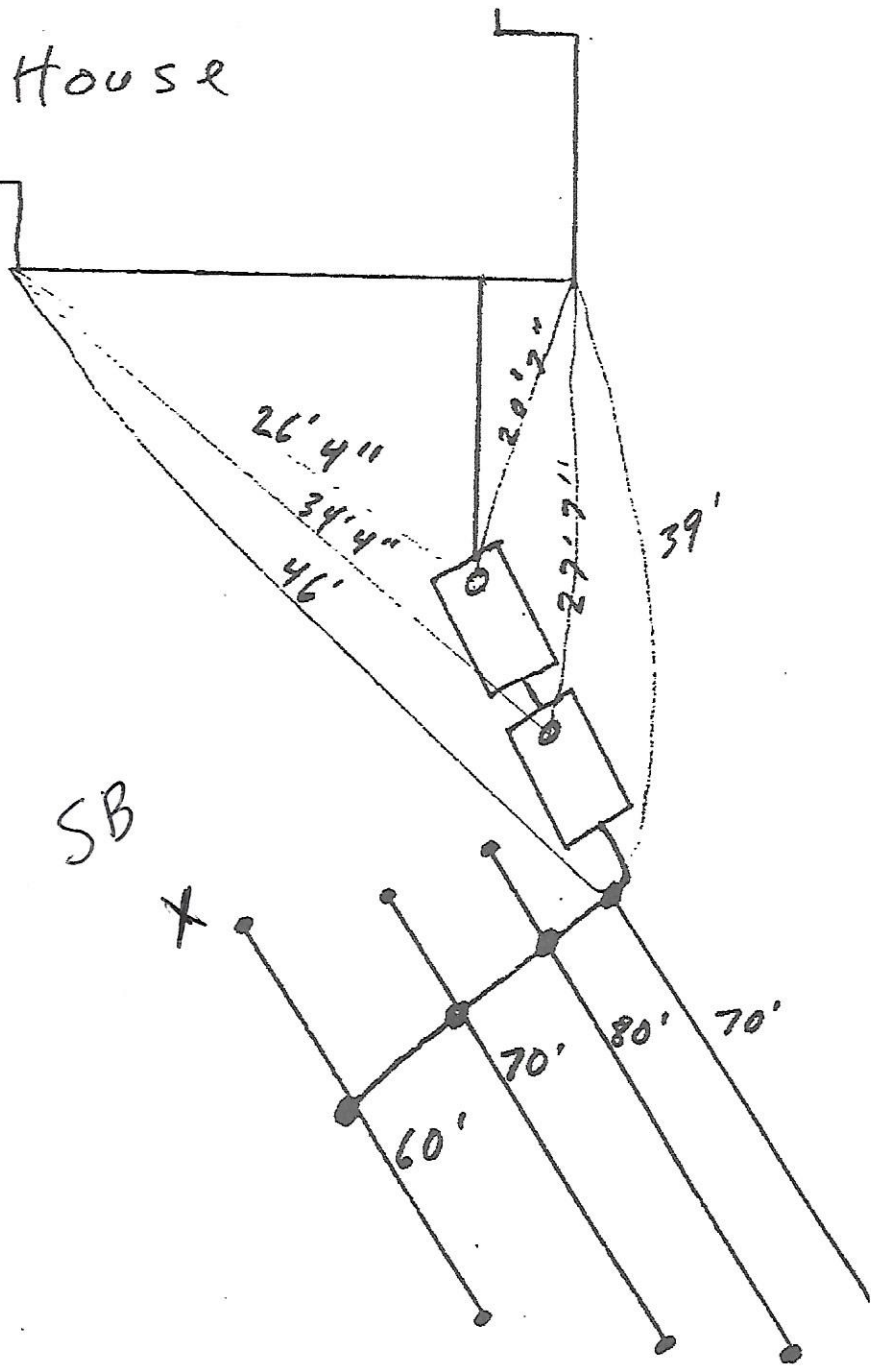


House

Well 160'



SB

X

26' 4"

34' 4"

46'

20' 3"

29' 7"

39'

60'

70'

80'

70'