

ZIERKE SOIL TESTING

Judi Booren
11522 Mayberry Trl N
Marine on St Croix, MN 55047

6/28/2021

Dear Judi Booren,

At your request, I have conducted a septic inspection to determine the compliance status of your septic system pursuant to Minnesota Rules Chapter 7080.1500.

The compliance test set out in 7080.1500 has three main inquiries: 1). Is the system functioning hydraulically (disposing of effluent in a manner that prevents it from coming in contact with people)? 2). Are the septic tanks water tight? 3). Does the system have sufficient vertical separation between the bottom of the septic system and restrictive layers (bedrock, standing water, seasonally wet layers, etc) to provide full treatment of effluent?

Based off of these criteria, your system is compliant. A certification of compliance is in effect for three years from the date it is issued. To be clear, this should not be construed as a guarantee of future system function – there are too many factors that influence the lifespan of a septic system for an inspector to predict or even guess how long a septic system will last. A copy of this report will be filed with your local unit of government for their records.

Sincerely,



Benjamin Zierke
MPCA Lic 119, Cert 9594

ADDRESS:
28587 Jeffrey Ave
Chisago City, MN 55013

PHONE 651-249-1346
EMAIL benzierke@gmail.com

Instructions: Inspection results based on Minnesota Pollution Control Agency (MPCA) requirements and attached supporting documentation – additional local requirements may also apply. Further information can be found here: <https://www.pca.state.mn.us/sites/default/files/wq-wwists4-31a.pdf>.

Inspector must submit completed form to Local Governmental Unit (LGU) and system owner within 15 days of final determination of compliance or noncompliance.

Property information

Local tracking number: _____

Parcel ID# or Sec/Twp/Range: 2003220240002 Local regulatory authority: Washington COunty

Property address: 11522 Mayberry Trl N Marine on St Croix, MN 55047

Owner/representative: Judi Booren Owner's phone: 651-433-2564

Brief system description: Two pre-cast 1000 gallon septic tanks, gravity rock trench drainfield

System status

System status on date (mm/dd/yyyy): 6/28/2021

Compliant – Certificate of compliance*

(Valid for 3 years from report date unless evidence of an imminent threat to public health or safety requiring removal and abatement under section 145A.04, subdivision 8 is discovered or a shorter time frame exists in Local Ordinance.)

***Note: Compliance indicates conformance with Minn. R. 7080.1500 as of system status date above and does not guarantee future performance.**

Noncompliant – Notice of noncompliance

An imminent threat to public health and safety (ITPHS) must be upgraded, replaced, or its use discontinued within ten months of receipt of this notice or within a shorter period if required by local ordinance or under section 145A.04 subdivision 8.

Systems failing to protect ground water must be upgraded, replaced, or use discontinued within the time required by local ordinance.

Reason(s) for noncompliance (check all applicable)

- Impact on public health (Compliance component #1) – *Imminent threat to public health and safety*
- Tank integrity (Compliance component #2) – *Failing to protect groundwater*
- Other Compliance Conditions (Compliance component #3) – *Imminent threat to public health and safety*
- Other Compliance Conditions (Compliance component #3) – *Failing to protect groundwater*
- System not abandoned according to Minn. R. 7080.2500 (Compliance component #3) – *Failing to protect groundwater*
- Soil separation (Compliance component #5) – *Failing to protect groundwater*
- Operating permit/monitoring plan requirements (Compliance component #4) – *Noncompliant - local ordinance applies*

Comments or recommendations

Certification

I hereby certify that all the necessary information has been gathered to determine the compliance status of this system. No determination of future system performance has been nor can be made due to unknown conditions during system construction, possible abuse of the system, inadequate maintenance, or future water usage.

By typing my name below, I certify the above statements to be true and correct, to the best of my knowledge, and that this information can be used for the purpose of processing this form.

Business name: Zierke Soil Testing

Certification number: 9594

Inspector signature: 

License number: 119

(This document has been electronically signed)

Phone: 651-249-1346

Necessary or locally required supporting documentation (must be attached)

- Soil observation logs
- Locally required forms
- Tank Integrity Assessment
- Operating Permit

Other information (list):

Site sketch

1. Impact on public health – Compliance component #1 of 5

Compliance criteria:

System discharges sewage to the ground surface	<input type="checkbox"/> Yes* <input checked="" type="checkbox"/> No
System discharges sewage to drain tile or surface waters.	<input type="checkbox"/> Yes* <input checked="" type="checkbox"/> No
System causes sewage backup into dwelling or establishment.	<input type="checkbox"/> Yes* <input checked="" type="checkbox"/> No

Any "yes" answer above indicates the system is an imminent threat to public health and safety.

Describe verification methods and results:

No sign of ponding, backup, or surface discharge observed during site visit 6/22/2021.

Attached supporting documentation:

Other: _____

Not applicable

2. Tank integrity – Compliance component #2 of 5

Compliance criteria:

System consists of a seepage pit, cesspool, drywell, leaching pit, or other pit?	<input type="checkbox"/> Yes* <input checked="" type="checkbox"/> No
Sewage tank(s) leak below their designed operating depth?	<input type="checkbox"/> Yes* <input checked="" type="checkbox"/> No
If yes, which sewage tank(s) leaks:	

Any "yes" answer above indicates the system is failing to protect groundwater.

Describe verification methods and results:

Present for pumping by Smilies Sewer 6/22/2021. Tanks watertight and baffles in place.

Attached supporting documentation:

Pumped at time of inspection

Name of maintenance business: Smilies

License number of maintenance business: 2428

Date of maintenance: 6/22/2021

Existing tank integrity assessment (Attach)

Date of maintenance (mm/dd/yyyy): _____ (must be within three years)

(See form instructions to ensure assessment complies with Minn. R. 7082.0700 subp. 4 B (1))

Tank is Noncompliant (pumping not necessary – explain below)

Other: _____

3. Other compliance conditions – Compliance component #3 of 5

3a. Maintenance hole covers appear to be structurally unsound (damaged, cracked, etc.), or unsecured?

Yes* No Unknown

3b. Other issues (*electrical hazards, etc.*) to immediately and adversely impact public health or safety? Yes* No Unknown

***Yes to 3a or 3b - System is an imminent threat to public health and safety.**

3c. System is non-protective of ground water for other conditions as determined by inspector? Yes* No

3d. System not abandoned in accordance with Minn. R. 7080.2500? Yes* No

***Yes to 3c or 3d - System is failing to protect groundwater.**

Describe verification methods and results:

Attached supporting documentation: Not applicable _____

4. Operating permit and nitrogen BMP* – Compliance component #4 of 5 Not applicable

Is the system operated under an Operating Permit? Yes No **If “yes”, A below is required**

Is the system required to employ a Nitrogen BMP specified in the system design? Yes No **If “yes”, B below is required**

BMP = Best Management Practice(s) specified in the system design

If the answer to both questions is “no”, this section does not need to be completed.

Compliance criteria:

a. Have the operating permit requirements been met? Yes No

b. Is the required nitrogen BMP in place and properly functioning? Yes No

Any “no” answer indicates noncompliance.

Describe verification methods and results:

Attached supporting documentation: Operating permit (Attach) _____

5. Soil separation – Compliance component #5 of 5

Date of installation 10/6/1998 Unknown
(mm/dd/yyyy)

Shoreland/Wellhead protection/Food beverage lodging? Yes No

Compliance criteria (select one):

5a. For systems built prior to April 1, 1996, and not located in Shoreland or Wellhead Protection Area or not serving a food, beverage or lodging establishment: Yes No*

Drainfield has at least a two-foot vertical separation distance from periodically saturated soil or bedrock.

5b. Non-performance systems built April 1, 1996, or later or for non-performance systems located in Shoreland or Wellhead Protection Areas or serving a food, beverage, or lodging establishment: Yes No*

Drainfield has a three-foot vertical separation distance from periodically saturated soil or bedrock.*

5c. "Experimental", "Other", or "Performance" systems built under pre-2008 Rules; Type IV or V systems built under 2008 Rules 7080. 2350 or 7080.2400 (Advanced Inspector License required) Yes No*

Drainfield meets the designed vertical separation distance from periodically saturated soil or bedrock.

***Any "no" answer above indicates the system is failing to protect groundwater.**

Describe verification methods and results:

Attached supporting documentation:

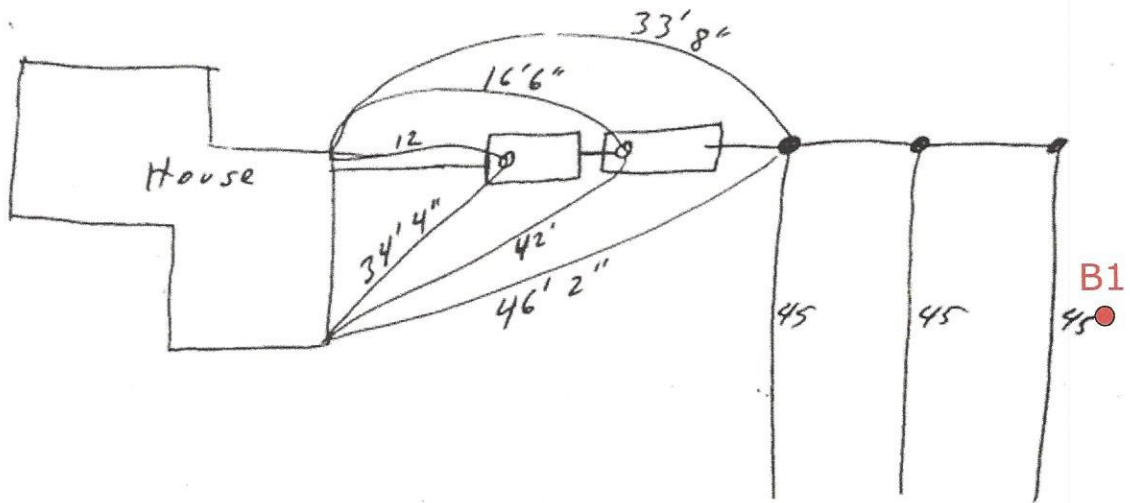
- Soil observation logs completed for the report (Attach)
- Two previous verifications of required vertical separation (Attach)
- Not applicable (No soil treatment area)
- _____

Indicate depths or elevations

A. Bottom of distribution media	95.3'
B. Periodically saturated soil/bedrock	92.5'+
C. System separation	2.8'+
D. Required compliance separation*	3.0' (2.55' with allowance)

*May be reduced up to 15 percent if allowed by Local Ordinance.

Upgrade requirements: (Minn. Stat. § 115.55) An imminent threat to public health and safety (ITPHS) must be upgraded, replaced, or its use discontinued within ten months of receipt of this notice or within a shorter period if required by local ordinance. If the system is failing to protect ground water, the system must be upgraded, replaced, or its use discontinued within the time required by local ordinance. If an existing system is not failing as defined in law, and has at least two feet of design soil separation, then the system need not be upgraded, repaired, replaced, or its use discontinued, notwithstanding any local ordinance that is more strict. This provision does not apply to systems in shoreland areas, Wellhead Protection Areas, or those used in connection with food, beverage, and lodging establishments as defined in law.



Relative Elevations from observations on 6/22/2021:

- B1: 100.0
- B1 Restriction: 92.5+
- Bottom of rock: 95.3
- B1 Separation: 2.8+
- Benchmark: 101.2
- (cover on 2nd septic tank)

Garage

Logs of Soil Borings

Location of Project: 11522 Mayberry Trl N Marine on St Croix, MN 55047

Borings Made by Ben Zierke

Date:

6/22/2021

Hand bucket auger used for borings; USDA - SCS Soil Classification used.

Depth, in Inches	Boring Number 1	Depth, in Inches	Boring Number 2
0-----	-----	0-----	-----
0-12"	10YR 3/2 loamy fine sand, <5% rock		
12-19"	10YR 4/4 loamy fine sand, <5% rock		
19-56"	10YR 4/6 coarse sand, 17% rock		
56-66"	10YR 5/4 fine sand, <5% rock		
66-90"	10YR 4/4 coarse sand, 13% rock		
	No restriction encountered		

End of boring at 7.5 feet
Standing water table:
 Present at feet of depth Hours after boring
 Standing water not present in hole
Mottled Soil:
 Observed at feet of depth
 Mottled soil not present in bore hole
 Comments:

End of boring at feet
Standing water table:
 Present at feet of depth Hours after boring
 Standing water not present in hole
Mottled Soil:
 Observed at feet of depth
 Mottled soil not present in bore hole
 Comments:

Depth, in Inches	Boring Number 3	Depth, in Inches	Boring Number 4
0-----	-----	0-----	-----

End of boring at feet
Standing water table:
 Present at feet of depth Hours after boring
 Standing water not present in hole
Mottled Soil:
 Observed at feet of depth
 Mottled soil not present in bore hole
 Comments:

End of boring at feet
Standing water table:
 Present at feet of depth Hours after boring
 Standing water not present in hole
Mottled Soil:
 Observed at feet of depth
 Mottled soil not present in bore hole
 Comments: