

19730 Maxwell Ave N  
Scandia MN

pd: \$25.00 CK# 8513

**RECEIVED**

OCT 30 2023

**PUBLIC HEALTH**

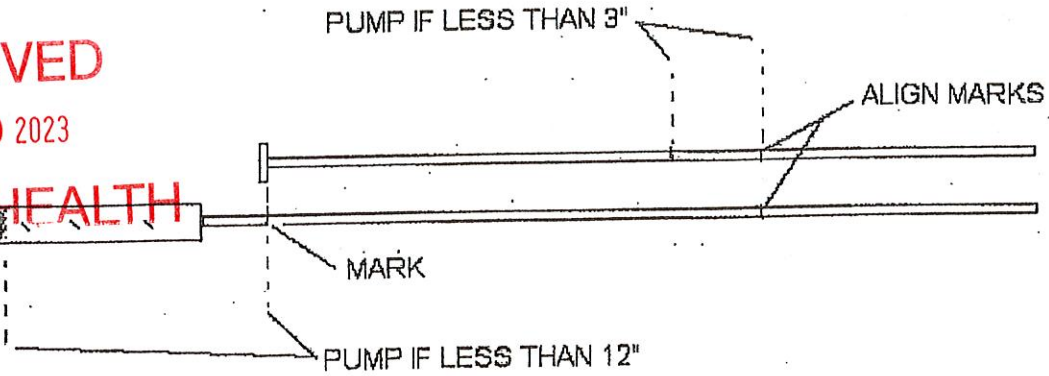


Figure 7

Insert the long stick inside the baffle stick in line with the top of the tank mark on the short stick with the mark in line with the flat piece on the shoulder of the cloth on the long stick. Figure 7 shows the bottom of the baffle. Tank clean.

**Step 4: Cleanup.**

Carefully rinse measuring tools with water to be reused, or place in a plastic bag that has been in contact with septage and sod if necessary.

These are the septic system measurements for  
19730 Maxwell Ave N.  
Scandia MN  
  
Daniel Guenther  
(651) 487-3068

DATE	SLUDGE MEASUREMENT	SCUM MEASUREMENT
9-2-21	23 inches	21 inches
8-27-22	23 inches	21 inches
10-24-23	23 inches	21 inches

NOTES: Measurement from solids to bottom of baffle. Measurement from bottom of baffle to bottom of scum.

This is a lightly used system with an oversized system tank.  
Daniel Guenther